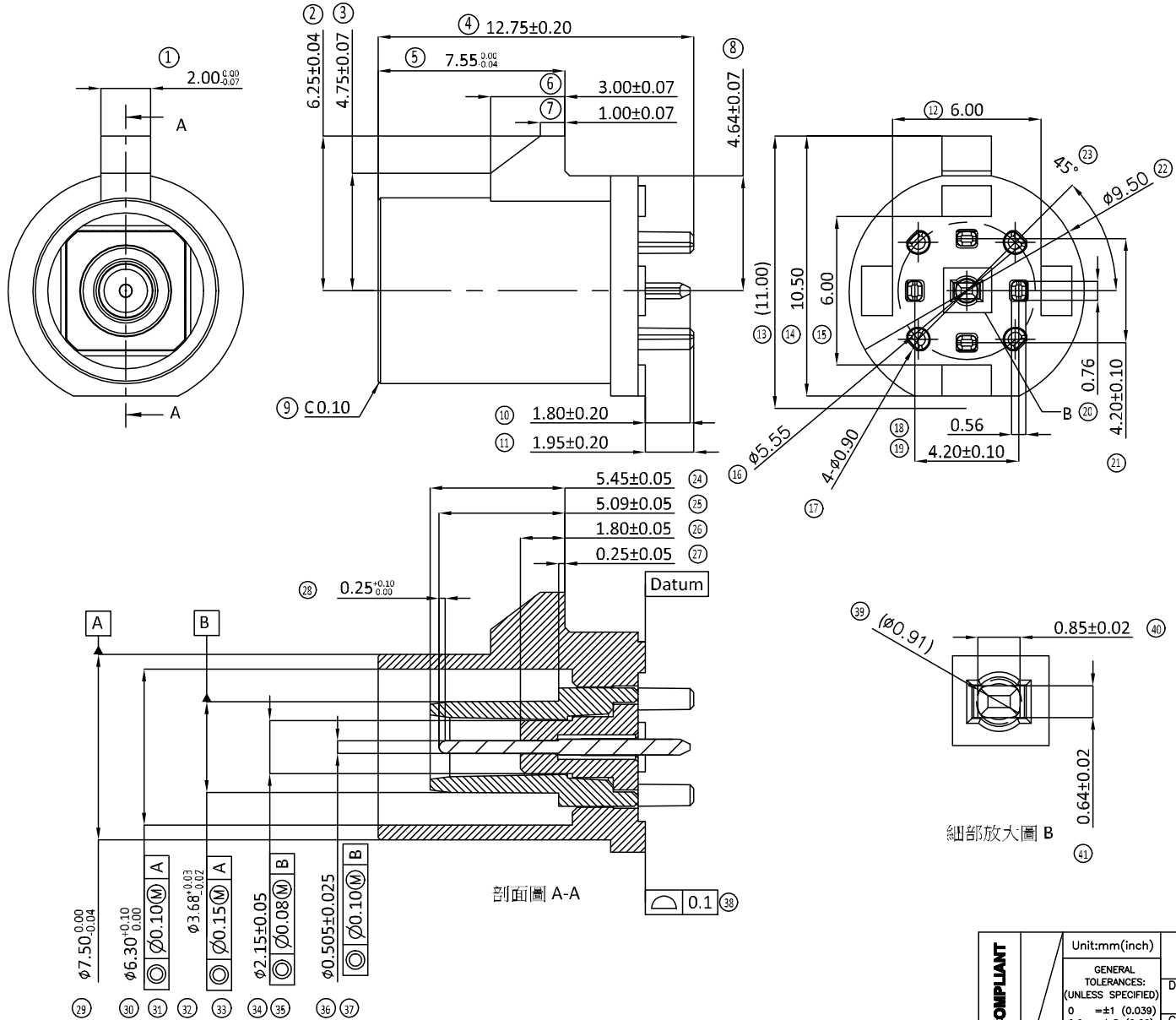


THIS DRAWING AND THE DATA DISCLOSED HEREIN OR HEREWITH IS NOT TO BE REPRODUCED USED OR DISCLOSED IN WHOLE OR IN PART TO ANYONE WITHOUT THE PERMISSION OF JESS-LINK PRODUCTS CO.,LTD.(JPC)

CUSTOMER DRAWING
DRWC-007687

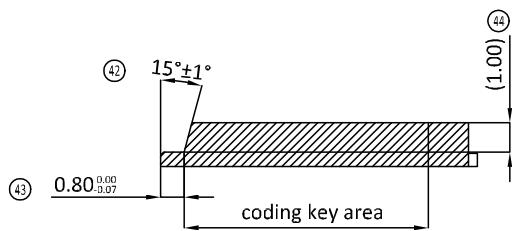
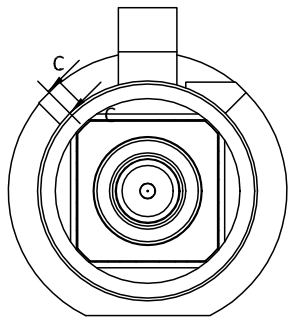
REV.	ECN NO.	DESCRIPTION	MDF'D	APP'D	DATE
01		INITIAL DESIGN	Philip	Richard	06/28/2023
02					
03					

SPECIFICATION
MATERIAL:
 INSULATOR:PA
 CONTACTS:COPPER ALLOY
 SHELL:ZINC ALLOY
 CONTACT PLATING:
 CONTACT AREA: 6u" SELECTIVE GOLD
 SOLDER TAILS AREA: 50u"~150u" TIN (MATTE)
ELECTRICAL:
 IMPEDANCE: 50 ohms
 INSULATOR RESISTANCE: 1000 mohms MIN. AT 500V DC
 WITHSTANDING VOLTAGE: AC 800Vrms MIN. 60S
 VOLTAGE RATING: AC 335Vrms
 CURRENT RATING: 1.0A MAX.
 CONTACT RESISTANCE: 10 mohms MAX.
 OPERATION TEMP. RANGE:-40 DEGREE TO +105 DEGREE
 MATING CYCLES: 25 INSERTIONS
PACKING STYLE:
 TAPE REEL



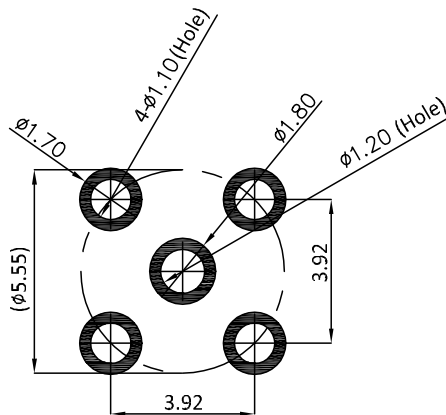
RoHS COMPLIANT	Unit:mm(inch)	PROJECTION	JPC connectivity	
	GENERAL TOLERANCES: (UNLESS SPECIFIED)	D.R. 06/28/2023 Philip	TITLE	PD./FILE NO.
	0 = ±1 (0.039) 0.0 = ±1.5 (0.02) 0.00 = ±3 (0.012) 0.000 = ±15 (0.006)	CH.K 06/28/2023 Philip	Fakra Plug X-Code Vertical Type Connector	
	0° = ± 2° 0.0° = ± 1°	APV.D 06/28/2023 Richard	SCALE	REV. 01
		SIZE	PART NO.	SHEET 1 OF 3
		3:1	A4	PZANHFA0101X

1	2	3	4	5	6	7	8				
	THIS DRAWING AND THE DATA DISCLOSED HEREIN OR HEREWITH IS NOT TO BE REPRODUCED USED OR DISCLOSED IN WHOLE OR IN PART TO ANYONE WITHOUT THE PERMISSION OF JESS-LINK PRODUCTS CO.,LTD.(JPC)			CUSTOMER DRAWING DRWC-007687		REV.	ECN NO.	DESCRIPTION	MDF'D	APP'D	DATE
						01		INITIAL DESIGN	Philip	Richard	06/28/2023
						02					
						03					

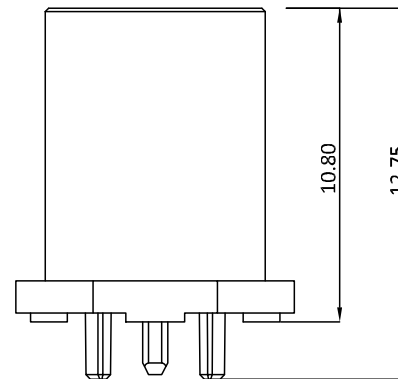
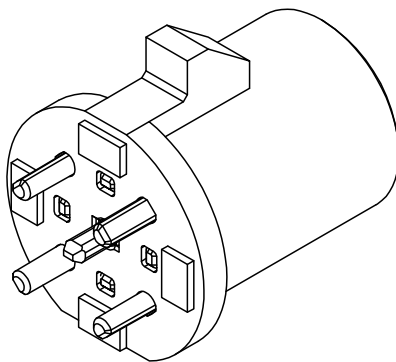
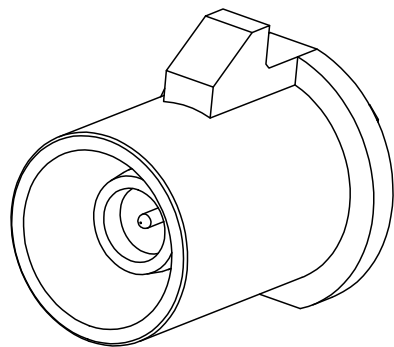


coding key cross section

剖面圖 C-C



RECOMMENDED PCB LAYOUT
TOLERANCES ±0.05mm











RoHS COMPLIANT	Unit:mm(inch)	PROJECTION 	JPC connectivity	
	GENERAL TOLERANCES: (UNLESS SPECIFIED)	D.R. 06/28/2023		
	0 = ±1 (0.039)	Philip	Fakra Plug X-Code Vertical Type Connector	
	0.0 = ±.5 (0.02)	CH.K 06/28/2023	SCALE	SIZE
0.00 = ±.3 (0.012)	Philip	3:1	A4	PZANHFARA0101X
0.000 = ±.15 (0.006)	APV.D 06/28/2023	REV.	01	SHEET 2 OF 3
0° = ± 2°	Richard			
0.0° = ± 1°				

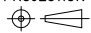
1	2	3	4	5	6	7	8			
					REV.	ECN NO.	DESCRIPTION	MDF'D	APP'D	DATE
					01		INITIAL DESIGN	Philip	Richard	06/28/2023
					02					
					03					

THIS DRAWING AND THE DATA DISCLOSED HEREIN OR HEREWITH IS NOT TO BE REPRODUCED USED OR DISCLOSED IN WHOLE OR IN PART TO ANYONE WITHOUT THE PERMISSION OF JESS-LINK PRODUCTS CO.,LTD.(JPC)

CUSTOMER DRAWING
DRWC-007687

Codings								
Coding	A	B	C	D	G	I	L	Z
Plug								
Color	Black	White	Blue	Bordeaux Violet	Grey	Beige	Camine Red	Water Blue

KEY	Product Name	Color	P/N.
A	Fakra Plug A-Code Vertical Type Connector	Black	PZANHFARA0101A
B	Fakra Plug B-Code Vertical Type Connector	White	PZANHFARA0101B
C	Fakra Plug C-Code Vertical Type Connector	Blue	PZANHFARA0101C
D	Fakra Plug D-Code Vertical Type Connector	Bordeaux Violet	PZANHFARA0101D
G	Fakra Plug G-Code Vertical Type Connector	Grey	PZANHFARA0101G
I	Fakra Plug I-Code Vertical Type Connector	Beige	PZANHFARA0101I
L	Fakra Plug L-Code Vertical Type Connector	Camine Red	PZANHFARA0101L
Z	Fakra Plug Z-Code Vertical Type Connector	Water Blue	PZANHFARA0101Z

RoHS COMPLIANT	Unit:mm(inch)	PROJECTION 	JPC connectivity		
	GENERAL TOLERANCES: (UNLESS SPECIFIED)	D.R. 06/28/2023 Philip			TITLE Fakra Plug X-Code Vertical Type Connector
	0 =±1 (0.039) 0.0 =±.5 (0.02) 0.00 =±.3 (0.012) 0.000=±.15(0.006)	CH.K 06/28/2023 Philip	SCALE	SIZE	PART NO.
	0° =± 2° 0.0° =± 1°	APV.D 06/28/2023 Richard	3:1	A4	PZANHFARA0101X
				REV. 01 SHEET 3 OF 3	